



MINIMAX™

**BECAUSE SOMETIMES IT PAYS
TO HAVE A SMALL TRUCK THAT WORKS
AS HARD HARD AS A FULL SIZE TRUCK**



- 10 yd³ to 14 yd³ body sizes available
- Up to 900 lbs/yd³ compaction
- Manual, semi-automated and fully automated configurations available
- Single piece body walls for increased strength and seamless appearance
- Trusted Helping Hand™ arm with 7 foot reach on automated configuration
- Full Eject unloading system
- Durascope nitrated packer & ejector cylinder with shaver
- Multiplex electrical system with Onboard diagnostic tools for easy troubleshooting
- Fully integrated Labrie CNG system – roof mount - 66 DGE available

Body Specifications

Body Trough	3/16" AR450 175,000psi
Body Floor	3/16" 100QT 100,000psi
Body Sides (lower)	3/16" 100QT 100,000psi
Body Sides (upper)	12ga A1011 80,000psi
Body Roof	12ga A1011 80,000psi
Tailgate	12ga A715 80,000psi

Hopper Specifications

Hopper Size (yd ³)	2.25
Loading height	18" above frame
Hopper Trough	3/16" AR450 175,000psi
Hopper Floor	3/16" 100QT 100,000psi
Hopper Sides (lower)	3/16" 100QT 100,000psi

Cylinder Specifications

Packer Cylinder	3 stages 4-1/2" bore x 138" stroke
Tailgate Cylinders	2-1/2" bore x 1-3/4" rod x 31" stroke
Arm Extension Cylinder	2" bore x 1-1/4" rod x 70" stroke
Lifting Cylinder	3" bore x 1-1/2" rod x 16" stroke
Grabber Cylinder	1-1/2" bore x 1" rod x 6-1/4" stroke

Arm Specifications (Automated Units)

Arm Lift Capacity	400 lbs
Arm Reach	84"
Swing out	27"
Arm Controls	Proportional joystick, electric over hydraulic

Packer Specifications

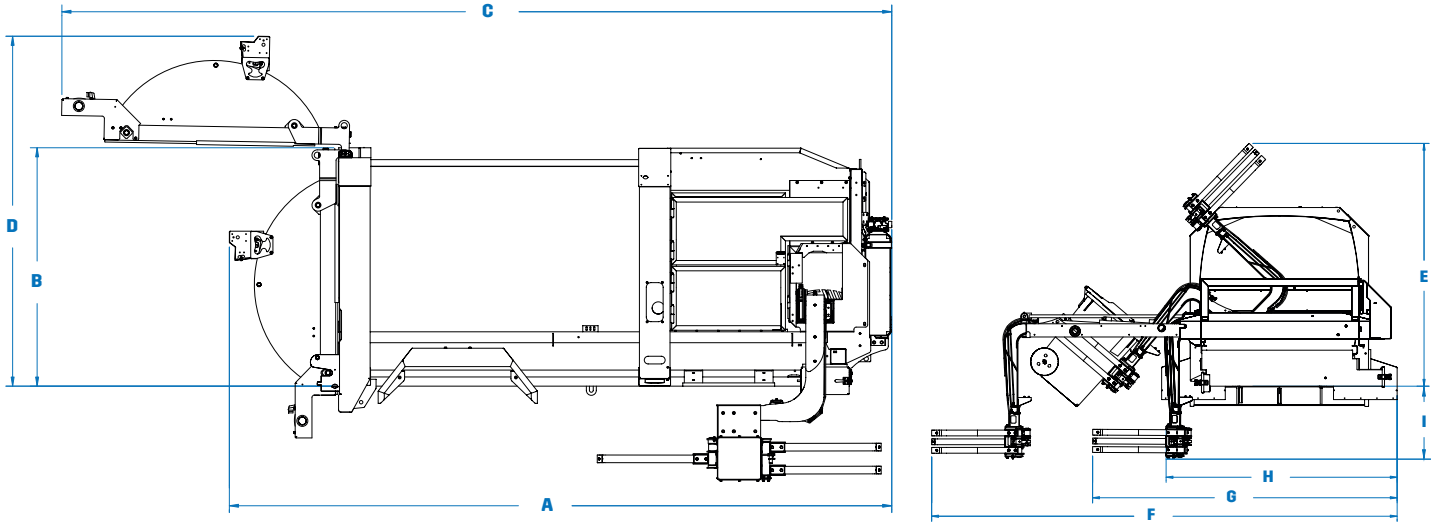
Compaction ratio (lbs/yd ³)	900
Packer Panel Face Plate	3/16" AR450 175,000psi
Packer Width	63"
Packer Height	17"
Packer Stroke	39"

Hydraulic Specifications

Pump Make & Model	Single Vane (Manual) / Dual Vane (Automated)
Pump Capacity (Manual)	20 gpm@1200 rpm
Pump Capacity (Automated)	BODY: 20 gpm@1200 rpm; ARM: 14 gpm@1200 rpm
Max. Operating Pressure	2,500 psi
Oil Reservoir	51 gal

Note: Specifications subject to change without notice





Body Dimensions

	10yd ³ (10+0)	12yd ³ (10+2)	14yd ³ (10+4)
A. Overall Length, Tailgate Closed (in.)	201	216	238
Overall Width (in.)	102	102	102
B. Overall Height Above Frame, Tailgate Closed (in.)	78	78	78
C. Overall Length, Tailgate Open (in.)	271	271	271
D. Overall Height Above Frame, Tailgate Open (in.)	99	114	136
E. Overall Height Above Frame When Dumping (in.)	105	105	105
F. Overall Width, Arm Out, Grabber Closed (in.)	202	202	202
G. Overall Width, Arm In, Grabber Closed (in.)	132	132	132
H. Overall Width, Arm In, Grabber Open (in.)	102	102	102
I. Distance between bottom of Grabber and chassis frame rail (in.)	25/31	25/31	25/31

Performance Specifications

Arm In	3.0 - 3.5 sec @ 1200 rpm
Arm Out	5.0 - 5.5 sec @ 1200 rpm
Arm Up	3.0 - 3.5 sec @ 1200 rpm
Arm Down	3.0 - 3.5 sec @ 1200 rpm
Grabber Open	1.3 - 1.8 sec @ 1200 rpm
Grabber Close	1.0 - 1.5 sec @ 1200 rpm

Packer complete cycle	12 sec
Tailgate Open	21 sec @ 700 rpm
Tailgate Close (with Safety Flow limiter)	26 sec @ 700 rpm
Crusher panel Up	4 sec @ 700 rpm
Crusher panel Down	3 sec @ 700 rpm



DRIVE EXCELLENCE

